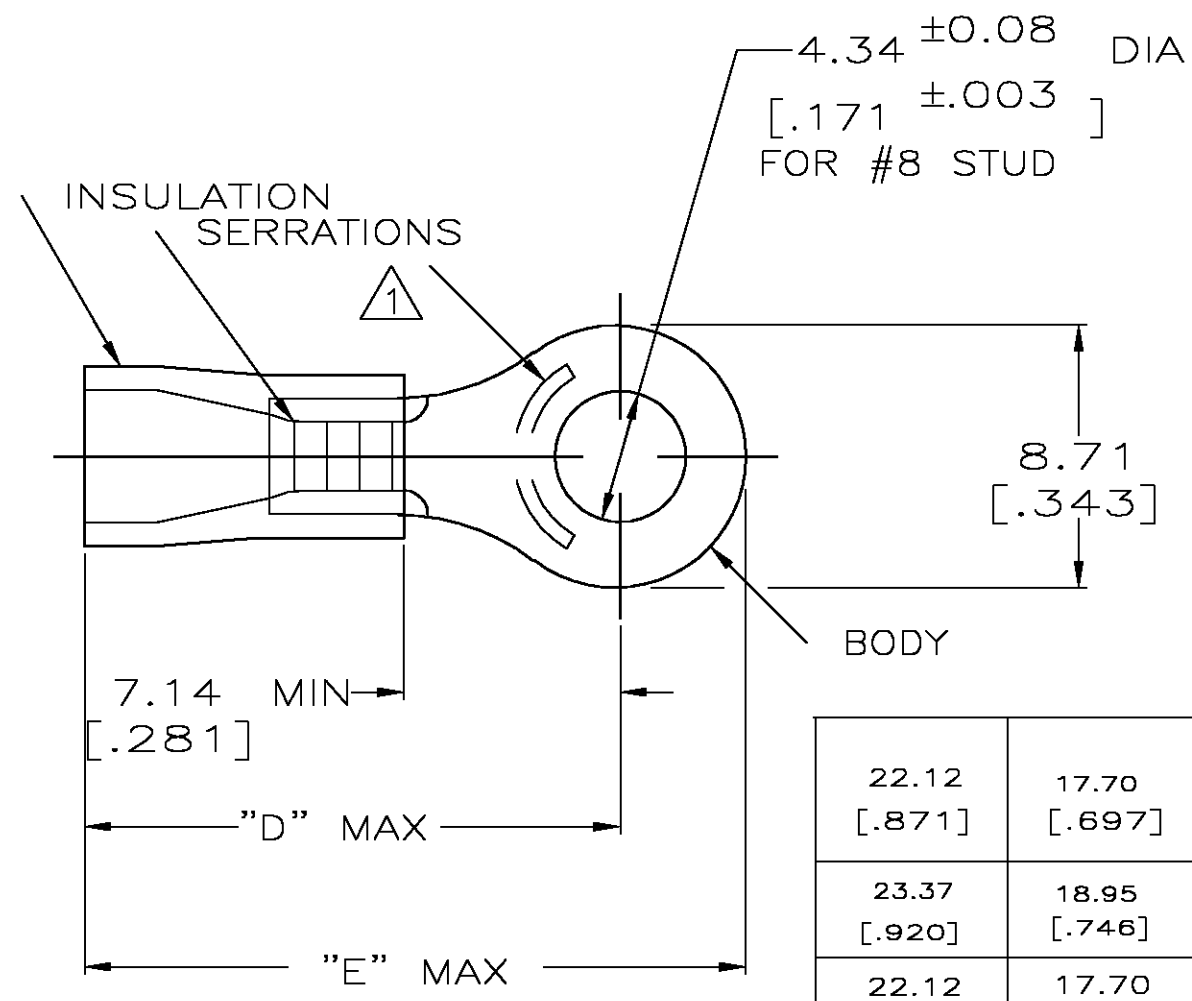


THIS DRAWING IS UNPUBLISHED. RELEASED FOR PUBLICATION  
 © COPYRIGHT BY TYCO ELECTRONICS CORPORATION. ALL RIGHTS RESERVED.

LOC	DIST	REVISIONS					
		P	LTR	DESCRIPTION	DATE	DWN	APVD
G	14		R	REV PER 0G3A-0832-04	28JAN05	JR	TM

<b>AMP</b> WIRE RANGE	Listed	LR7189 Certified
16-14 AWG SOLID OR STRANDED	16-14 AWG SOLID OR STRANDED	16-14 AWG SOLID OR STRANDED



- △ 1 STAMP AMP 16-14\* APPROX AS SHOWN
- 2 TONGUE MATERIAL THK: 0.79<sup>±0.05</sup> [.031<sup>±0.002</sup>]
- △ 3 SUPERSEDED BY 8-34160-1
- △ 4 MATERIAL: BODY - CU PER ASTM B152  
SLEEVE - PVC, COLOR - BLUE

"E"	"D"	WIRE INSULATION DIA	QTY	PACKAGE TYPE	PART NUMBER
22.12 [.871]	17.70 [.697]	3.00-4.90 [.118-.193]	50	LOOSE PC, BAG	△ 3 8-34160-5
			5	LOOSE PC, BLS	8-34160-4
			100	LOOSE PC, BOX	8-34160-1
23.37 [.920]	18.95 [.746]	3.81-.635 [.150-.250]	5000	ON TAPE, REEL	2-34160-3
			-	LOOSE PIECE	2-34160-2
22.12 [.871]	17.70 [.697]	3.00-4.90 [.118-.193]	5000	ON TAPE, REEL	2-34160-1
			-	LOOSE PIECE	34160

**AMP INCORPORATED**  
**CUSTOMER SERVICE SYSTEMS**

FOR ADDITIONAL PRODUCT INFORMATION OR COPIES OF DRAWINGS AND TECHNICAL DOCUMENTS  
 PRODUCT INFORMATION CENTER  
 1-800-522-6752

FOR APPLICATION TOOLING INFORMATION  
 TOOLING ASSISTANCE CENTER  
 1-800-722-1111

FOR ORDER ENTRY  
 1-800-526-5142

MAX RECOMMENDED OPERATING TEMPERATURE:  
 105°C [221° F]

VOLTAGE RATING:  
 N/A

CIRCULAR MIL AREA:  
 1.04-2.62mm<sup>2</sup> [2,050-5,180]  
 SOLID OR STRANDED

THIS DRAWING IS A CONTROLLED DOCUMENT.

DIMENSIONS: MM [INCHES]

TOLERANCES UNLESS OTHERWISE SPECIFIED:

0 PLC ± -  
 1 PLC ± -  
 2 PLC ± 0.20[.008]  
 3 PLC ± -  
 4 PLC ± -  
 ANGLES ± -

MATERIAL: TIN PER ASTM B545

DWN DK SCHRUM 02/08/93  
 CHK RE HERSEY 8/15/93  
 APVD M BARNABA 8/15/93

**tyco Electronics**  
 Tyco Electronics Corporation  
 Harrisburg, Pa 17105-3608

NAME: TERMINAL, RING TONGUE, PLASTI-GRIP, WIRE SIZE, 16-14 AWG

PRODUCT SPEC: UL 486A  
 APPLICATION SPEC: NOT AVAILABLE

SIZE: A3  
 CAGE CODE: 00779  
 DRAWING NO: C-34160

RESTRICTED TO: -

SCALE: 4:1  
 SHEET: 1 OF 1  
 REV: R